

SOFT, DRY CLOTH



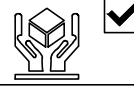
CHEMICAL



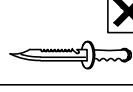
HEAT



KEEP DRY



HANDLE WITH CARE



DO NOT USE KNIFE

# ASSEMBLY INSTRUCTION

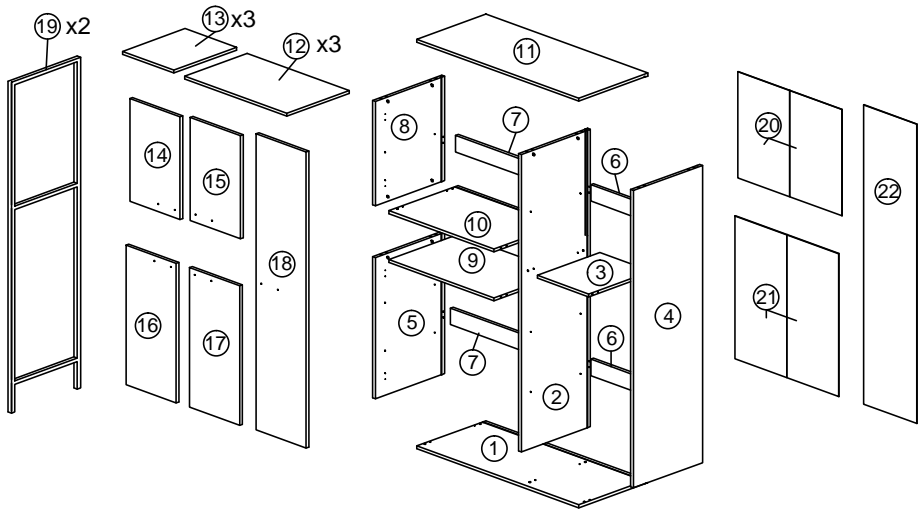
MODEL : DR 960006

DESC : DINING CABINET

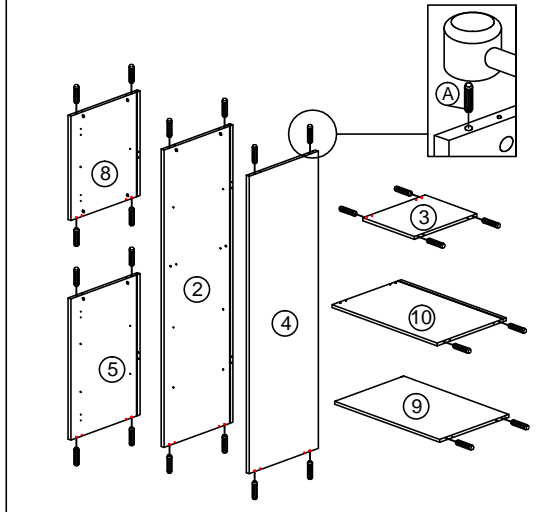
HARDWARE

<b>A</b>  WOOD DOWEL 8 X 25 24	<b>B</b>  CB SCREW M3.5X16MM 72	<b>C</b>  CSK CAP WOOD M6X50MM 6	<b>D</b>  HANDLE SCREW M4X19MM 10	<b>E</b>  HANDLE SCREW M4X30MM 24	<b>F</b>  ALLEN KEY 1	<b>G</b>  MINIFIX HOUSING G1 34	<b>G</b>  MINIFIX HOUSING G2 34	<b>H</b>  MINIFIX CAP 34	<b>I</b>  HINGES 7/8 11	<b>J</b>  7050-96 BLACK 5	<b>K</b>  PVC CORNER L BRACKET 12	<b>L</b>  3MM PVH 3MM PVH 1	<b>M</b>  SHELF SUPPORT 24	<b>N</b>  METAL ADJUST LEG 1
--	---	--	---	---	--------------------------------	---	---	-----------------------------------	----------------------------------	---------------------------------------	---	---	-------------------------------------	--

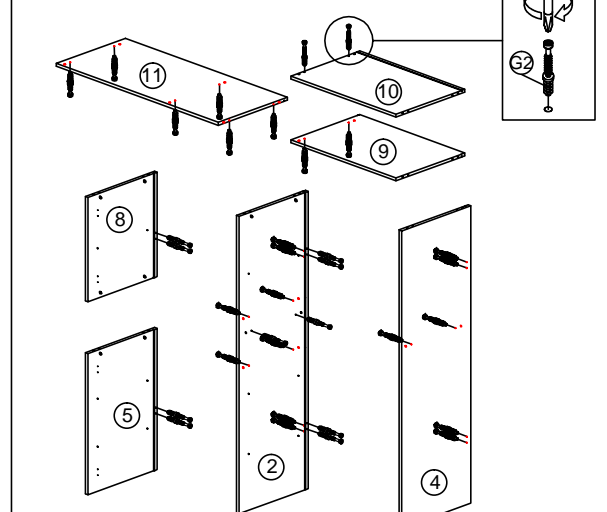
## PART LIST



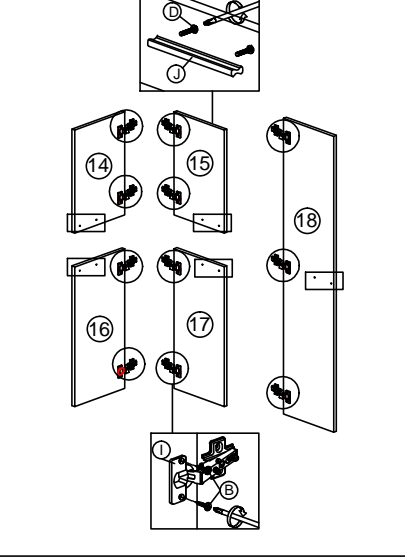
## STEP 1



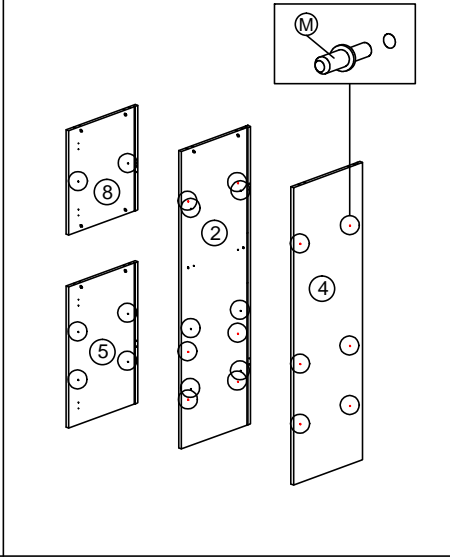
## STEP 2



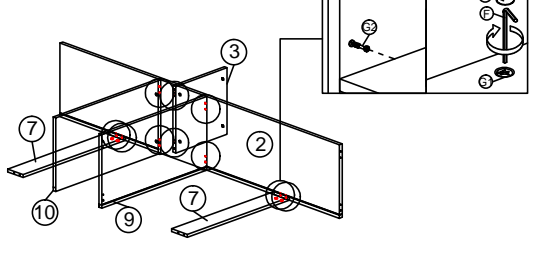
## STEP 3



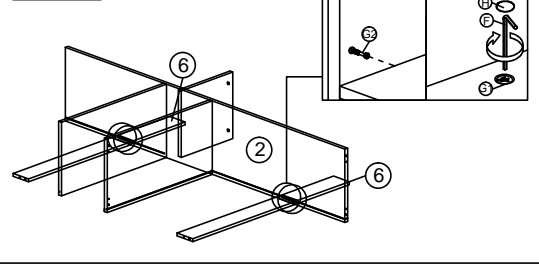
## STEP 4



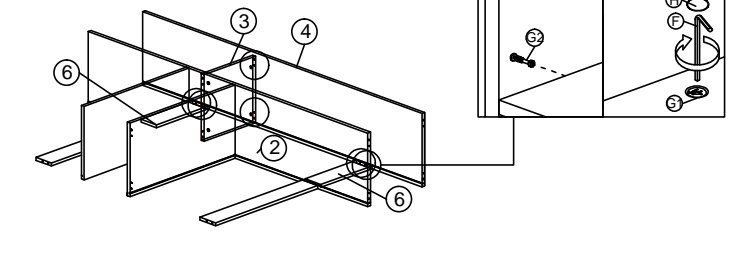
## STEP 5



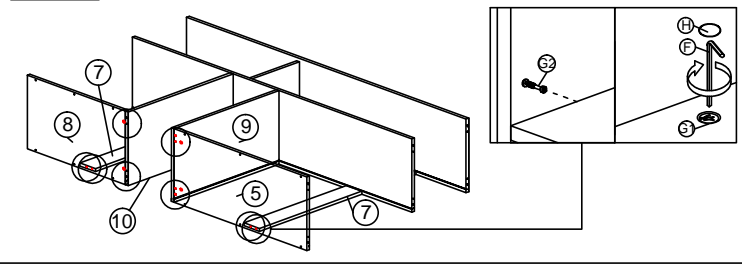
## STEP 6



## STEP 7



## STEP 8





SOFT, DRY CLOTH



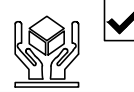
CHEMICAL



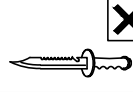
HEAT



KEEP DRY



HANDLE WITH CARE



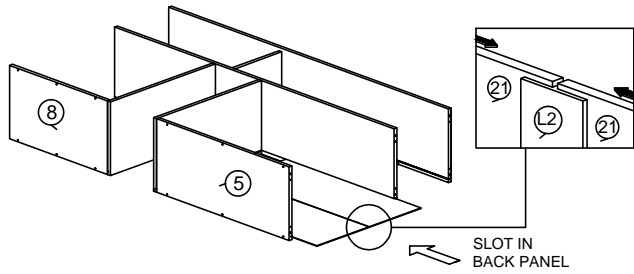
DO NOT USE KNIFE

# ASSEMBLY INSTRUCTION

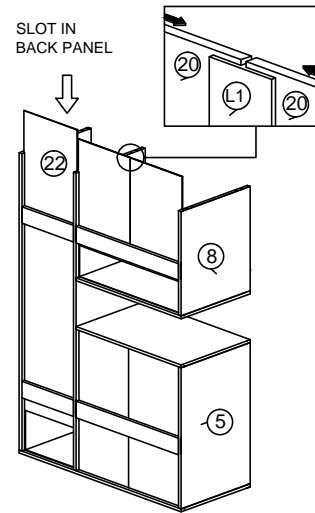
MODEL : DR960006

DESC : DINING CABINET

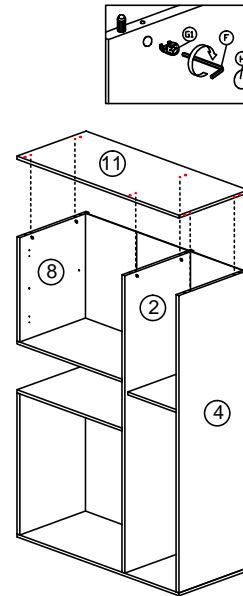
## STEP 9



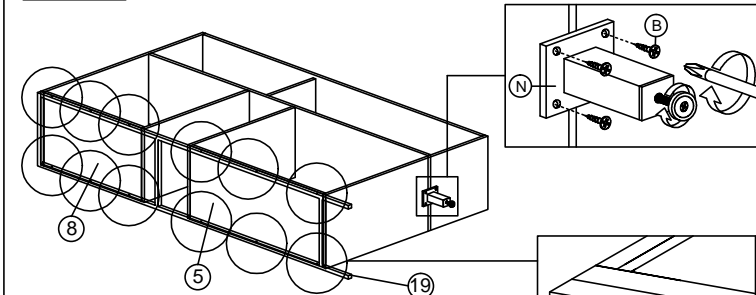
## STEP 11



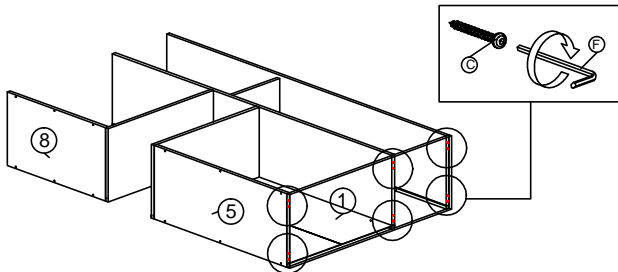
## STEP 12



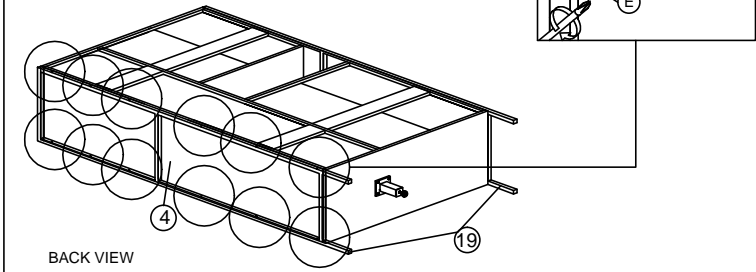
## STEP 13



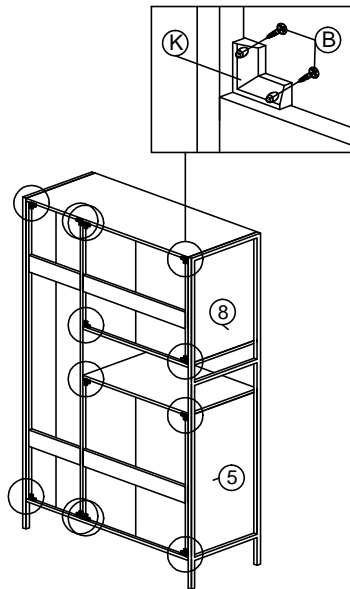
## STEP 10



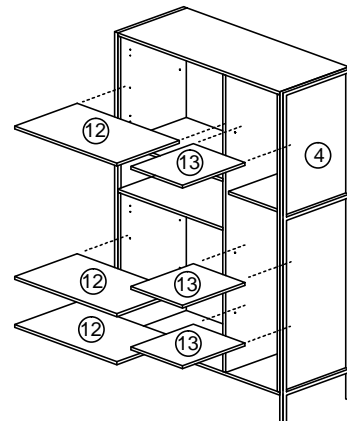
## STEP 14



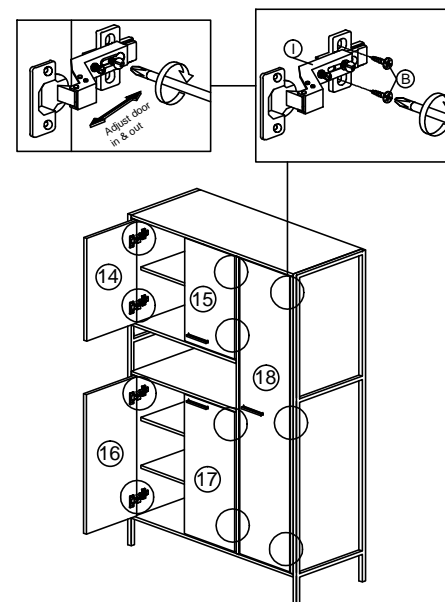
## STEP 15



## STEP 16



## STEP 17



## COMPLETED

